

fischer triax connectors

1051 A004 Series



New Triax **HD Pro+**

1051 A004 Series For improved long-distance performance!

For more than 25 years, the Fischer Connectors 1051 series Triaxial connectors has been a worldwide standard in high end camera broadcast connections.

To ensure flawless transmission, professionals are eager for increased user-friendliness of their video equipment, on top of a highly reliable signal performance. Long transmission distance is also an important parameter when events take place in large-scale venues. To address these needs, we are pleased to introduce the new Triax HD Pro+ Broadcast Solution which increases transmission distance by more than 30%. This integrated cable and connector solution designed for indoor and outdoor applications maximizes the performance of your Triax equipment without the additional initial investment in fiber and subsequent operating costs.

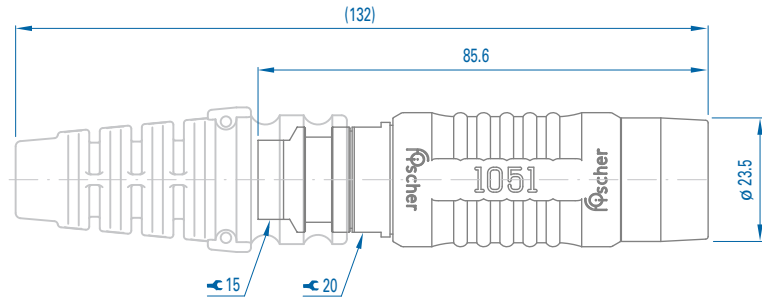


New 1051 Triax **HD Pro+**

- Integrated Triax HD connector and cable solution
- > 30% longer transmission distance
- Significantly lower cost of ownership vs SMPTE 304 solution
- HD/SD signal compliant
- Improved RF performance
- Fast and easy cable assembly
- Proven rugged and reliable
- Watertight IP68
- Maintenance-friendly & easy field repair

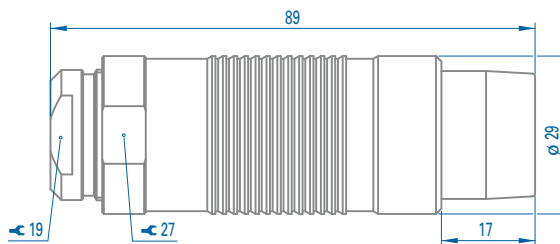
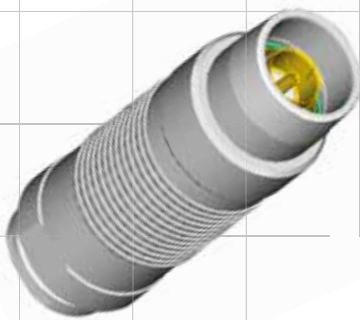


■ For $\varnothing 8.5$ to $\varnothing 11.3$ mm cables



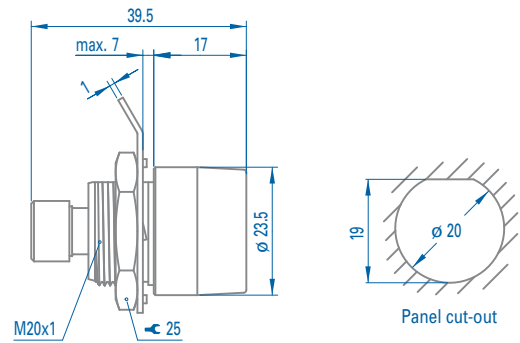
Cable receptacle part number	Cable group ¹	Cable clamp part number ²
KE 1051 A004-9+	1	E3 KE1051.4/A004-9/1.0/4.5/8.7
	2	E3 KE1051.4/A004-9/1.0/4.5/9.4
	2	E3 KE1051.4/A004-9/1.4/4.5/9.4
KE 1051 A004-HD Pro+	3	E3 KE1051.4/A004-9/1.4/6.6/11.3
	3 HD Pro+	E3 KE1051.4/A004-HD Pro/1.75/7.5/11.9

■ For $\varnothing 12.2$ mm to $\varnothing 15.2$ mm cables



Cable receptacle part number	Cable group ¹	Cable clamp part number
KE 1051 A004-4 1.4/6.6/12.6	4	Included
KE 1051 A004-4 T1895/13.6	5	
KE 1051 A004-4 2.1Ls/10s/15.2	6	

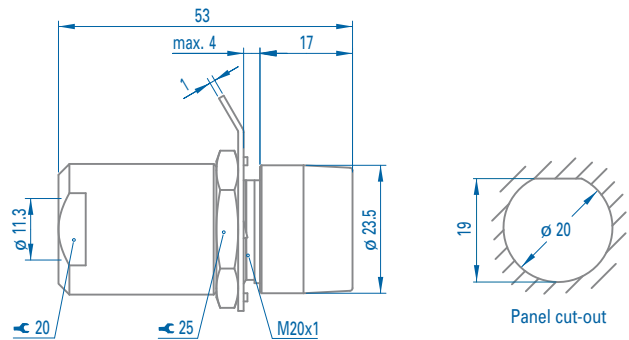
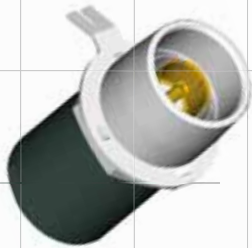
■ For $\varnothing 8.5\text{mm}$ cables



Receptacle part number

DB 1051 A004-3 1.0/5.0

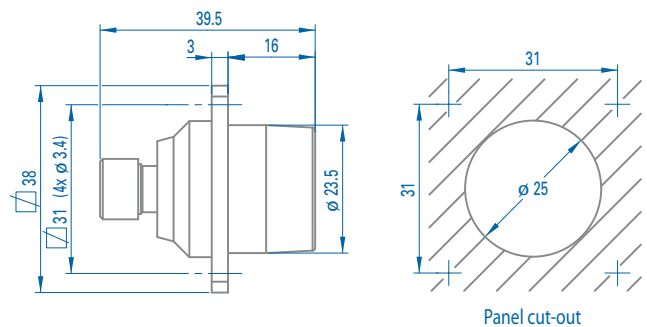
■ For $\varnothing 11.3\text{mm}$ cables, with cable guide



Receptacle part number

DB 1051 A004-3 1.4/6.6

■ For $\varnothing 8.5\text{mm}$ cables, with square flange



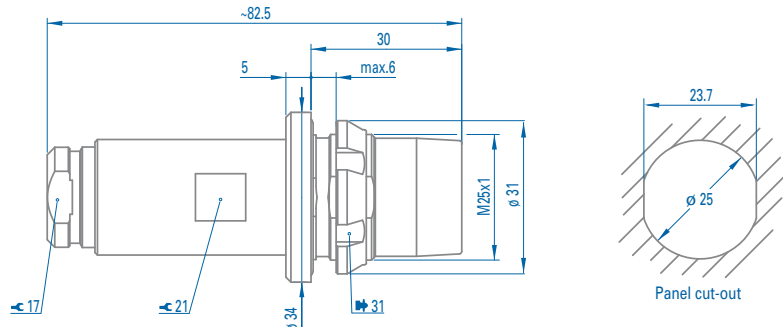
Receptacle part number

DBQ 1051 A004-3 1.0/5.0

All dimensions shown are in millimeters and are for reference only.

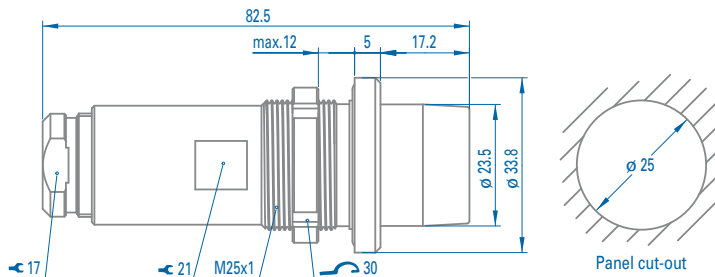
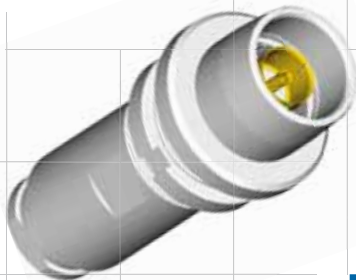
Panel Receptacles with Cable Clamp

■ For $\varnothing 8.5\text{mm}$ to $\varnothing 11.3\text{mm}$ cables



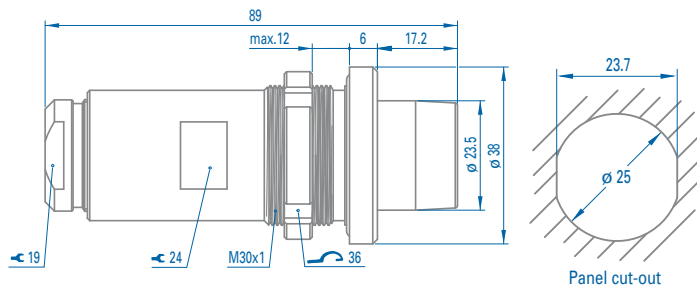
Receptacle part number	Cable group ¹	Cable clamp part number
DKBE 1051 A004-3+	1	E3 1051.1/A004-3/1.0/4.5/8.7
	2	E3 1051.1/A004-3/1.0/4.5/9.4
	2	E3 1051.1/A004-3/1.4/4.5/9.4
	3	E3 1051.1/A004-3/1.4/6.6/11.3

■ For $\varnothing 8.5$ to $\varnothing 11.3\text{mm}$ cables



Receptacle part number	Cable group ¹	Cable clamp part number ²
DKE 1051 A004-3+	1	E3 1051.1/A004-3/1.0/4.5/8.7
	2	E3 1051.1/A004-3/1.0/4.5/9.4
	2	E3 1051.1/A004-3/1.4/4.5/9.4
	3	E3 1051.1/A004-3/1.4/6.6/11.3

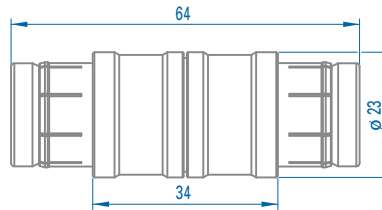
■ For $\varnothing 12.2\text{mm}$ to $\varnothing 15.2\text{mm}$ cables



Receptacle part number	Cable group ¹	Cable clamp part number
DKE 1051 A004-4 1.4/6.6/12.6	4	Included
DKE 1051 A004-4 T1895/13.6	5	
DKE 1051 A004-4 2.1Ls/10s/15.2	6	

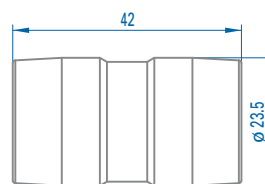
¹ See list of recommended cables on page 23
² See cable clamp details on page 13

■ *For connection of panel or cable receptacles*



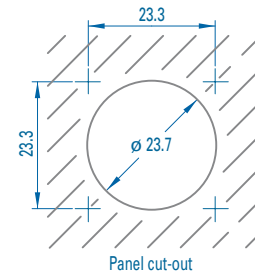
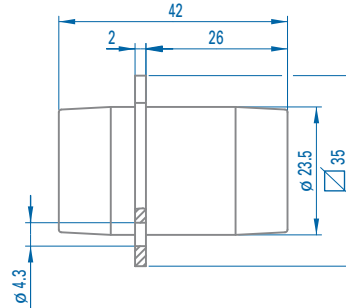
Adaptor part number	Suitable for
SE-SE 1051 A004	KE, DB and DKE connections

■ *For connection of cable or panel plugs*



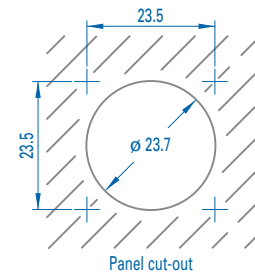
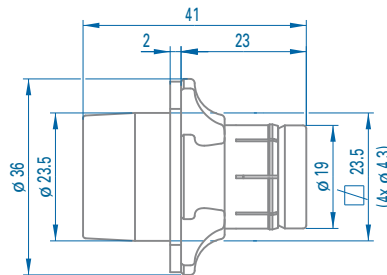
Adaptor part number	Suitable for
KE-KE 1051 A004	SE, DS and DSR connections

■ For connection of cable plugs



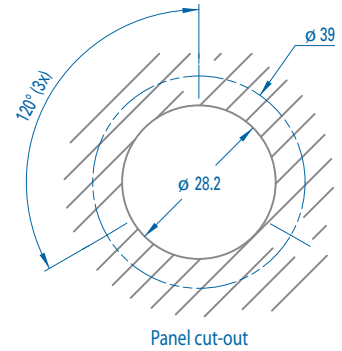
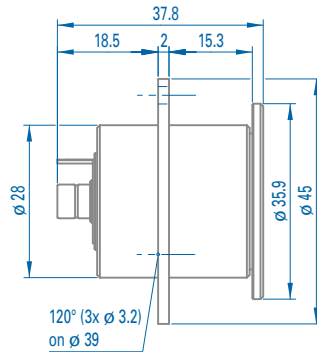
Feedthrough part number	Suitable for
KE-KE 1051 A004-8	SE connections

■ For connection of cable plugs and cable receptacles



Feedthrough part number	Suitable for
DS-K 1051 A004	SE with KE connections

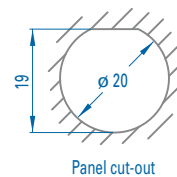
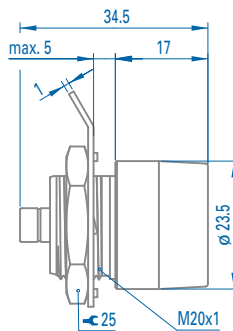
■ Panel plug with 75Ω SMB male plug



Panel plug part number

DS 1051 A004-SMB75/M

■ Panel receptacle with 75Ω SMB male plug



Panel receptacle part number

DB 1051 A004-SMB75/M

■ For SE models



SE 1051 A004-9 +

New SE 1051 A004-HD Pro+

Cable clamp set

New



Plug cap is included with the cable clamp set

Cable diameters (mm)	Cable clamp part number ¹
1.0 / 4.5 / 8.7	E3 SE1051.3/A004-9/1.0/4.5/8.7
1.0 / 4.5 / 9.4	E3 SE1051.3/A004-9/1.0/4.5/9.4
1.4 / 4.5 / 9.4	E3 SE1051.3/A004-9/1.4/4.5/9.4
1.4 / 6.6 / 11.3	E3 SE1051.3/A004-9/1.4/6.6/11.3
HD Pro+ 1.75 / 7.5 / 11.9	E3 SE1051.3/A004-HD Pro/1.75/7.5/11.9

■ For KE models



KE 1051 A004-9 +

New KE 1051 A004-HD Pro+

Cable clamp set

New



Cable receptacle cap is included with the cable clamp set

Cable diameters (mm)	Cable clamp part number ¹
1.0 / 4.5 / 8.7	E3 KE1051.4/A004-9/1.0/4.5/8.7
1.0 / 4.5 / 9.4	E3 KE1051.4/A004-9/1.0/4.5/9.4
1.4 / 4.5 / 9.4	E3 KE1051.4/A004-9/1.4/4.5/9.4
1.4 / 6.6 / 11.3	E3 KE1051.4/A004-9/1.4/6.6/11.3
HD Pro+ 1.75 / 7.5 / 11.9	E3 KE1051.4/A004-HD Pro/1.75/7.5/11.9

■ For DSR and DKE models



DSR 1051 A004-3 +

DKE 1051 A004-3 +



Cable clamp set



Cable diameters (mm)	Cable clamp part number ¹
1.0 / 4.5 / 8.7	E3 1051.1/A004-3/1.0/4.5/8.7
1.0 / 4.5 / 9.4	E3 1051.1/A004-3/1.0/4.5/9.4
1.4 / 4.5 / 9.4	E3 1051.1/A004-3/1.4/4.5/9.4
1.4 / 6.6 / 11.3	E3 1051.1/A004-3/1.4/6.6/11.3

¹ See list of recommended cables on page 23




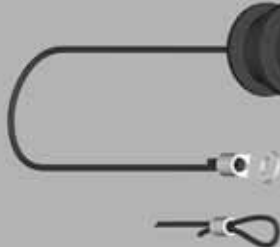
■ *Accessories for A004-9 models*

	Description	Part number	Suitable for
	Protective sleeve	1051.1569	SE 1051 A004-9 KE 1051 A004-9
	Plug cap	1051.1576	All SE, DS, DSR
	Receptacle cap	1051.1577	All KE, DKE, DKBE, DB
	Plug cap	1051.1570 Replaced by 1051.1576	SE 1051 A004-9
	Cable receptacle cap	1051.1571 Replaced by 1051.1577	KE 1051 A004-9

■ Combined sleeve and cap for A004-4 models

	Description	Part number	Suitable for
	Protective sleeve L1=122	1051.875	SE 1051 A004-4 1.4/6.6/12.6 SE 1051 A004-4T1895/13.6
	Protective sleeve L2=104	1051.874	SE 1051 A004-4 2.1Ls/10s/15.2
	Protective sleeve L1=140	1051.876	KE 1051 A004-4 1.4/6.6/12.6 KE 1051 A004-4T1895/13.6
	Protective sleeve L2=122	1051.877	KE 1051 A004-4 2.1Ls/10s/15.2

■ Caps for A004-3 and A004-4 models

	Description	Part number	Suitable for
 <p><i>Soon obsolete</i></p>	Cap with fastener eyelet	1051.887 Replaced by 1051.1576	DS, DSR
 <p><i>Soon obsolete</i></p>	Cap with fastener eyelet	1051.897 Replaced by 1051.1577	DB, DKE
 <p><i>Soon obsolete</i></p>	Sealing cover in POM with O-ring and plastic coated stainless steel wire (Approx. length 400mm)	1051.816 Replaced by 1051.1576	SE, DS, DSR
 <p><i>Soon obsolete</i></p>	Sealing cover in POM with O-ring and plastic coated stainless steel wire (Approx. length 400mm)	1051.817 Replaced by 1051.1577	KE, DB, DKE

■ *Spanner for inner threaded ring*



Part number	Suitable for
TQ00.001	DKE+DSR 1051 A004-3 1.0/4.5/8.7+9.4 DKE+DSR 1051 A004-3 1.4/4.5/9.4 DKE+DSR 1051 A004-3 1.4/6.6/11.3
TQ00.002	SE+KE+DKE+DSR 1051 A004-4 1.4/6.6/12.6 SE+KE+DKE+DSR 1051 A004-4 T1895/13.6 SE+KE+DKE+DSR 1051 A004-4 2.1Ls/10s/15.2

■ *Hook spanner for slotted nuts*



Part number	Suitable for
TX00.105	Ø 30-32
TX00.106	Ø 34-36

■ *Nutdriver*



Part number	Suitable for
TQ00.005	Ø 31 DKBE 1051 A004-3+

■ *Shield crimp tool without dies*



Part number	Description
TX00.245	Daniels HX4 (M 22520/5-01)

■ *Shield crimp tool dies*



Part number	Hexagon width	Description
TX00.270	10.9	Daniels Y178 (M 22520/5-61)
TX00.271	13.51	Daniels Y151 (M 22520/5-27)

■ *Contact crimp tool*



Part number	Description
TX00.242	Buchanan 615708

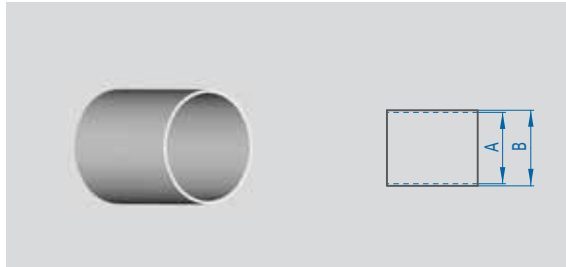
■ *Contact crimp tool positioner*



Part number	Suitable for
TX00.315	All connectors corresponding to cable groups 1 to 4 ¹
TX00.317	All connectors corresponding to cable groups 5 to 6 ¹

¹ See list of recommended cables on page 23

■ Crimp ferrules



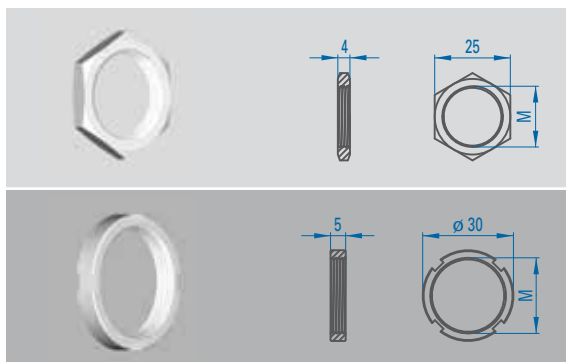
Part number	A	B	Suitable for
1051.910	11.8	12.5	SE 1051 A004-4T1895/13.6 KE 1051 A004-4T1895/13.6 DKE 1051 A004-4T1895/13.6 DSR 1051 A004-4T1895/13.6 DSR 1051 A004-4 2.1Ls/10s/15.2
1051.922	14.3	15.5	SE 1051 A004-4 2.1Ls/10s/15.2 KE 1051 A004-4 2.1Ls/10s/15.2 DKE 1051 A004-4 2.1Ls/10s/15.2

■ Solder lug with claws



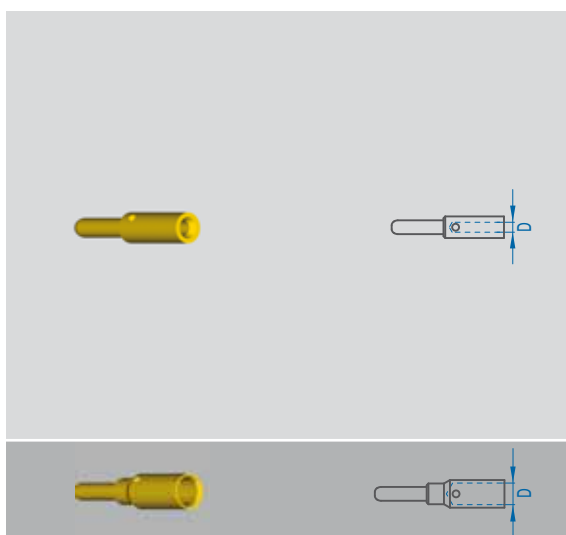
Part number	D	Suitable for
1051.311	30	DB
1051.615	34	DS

■ Hexagon and slotted nuts



Part number	M	Suitable for
105.724	M20x1	DB
1051.611	M28x1	DS, DSR
105.865	M25x1	DKE 1051 A004-3
106.395	M30x1	DKE 1051 A004-4

■ Crimp and/or solder contacts



Part number	D	Suitable for
1051.900	1.0	All connectors corresponding to cable groups 1 and 2 ¹ , except: SE 1051 A004-9 1.4/4.5/9.4 KE 1051 A004-9 1.4/4.5/9.4 DKE 1051 A004-3 1.4/4.5/9.4
1051.905	1.5	All connectors corresponding to cable groups 3 and 4 ¹ , plus: SE 1051 A004-9 1.4/4.5/9.4 KE 1051 A004-9 1.4/4.5/9.4 DKE 1051 A004-3 1.4/4.5/9.4
1051.919	1.8	SE 1051 A004-HD Pro+ KE 1051 A004-HD Pro+
1051.906	2.5	All connectors corresponding to cable groups 5 and 6 ¹

¹ See list of recommended cables on page 23
All dimensions shown are in millimeters and are for reference only.

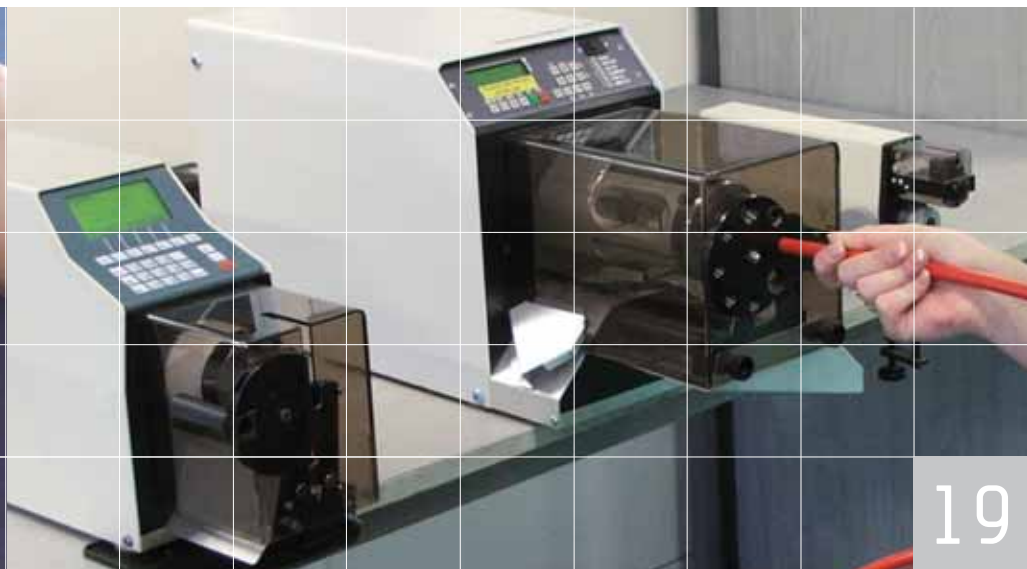
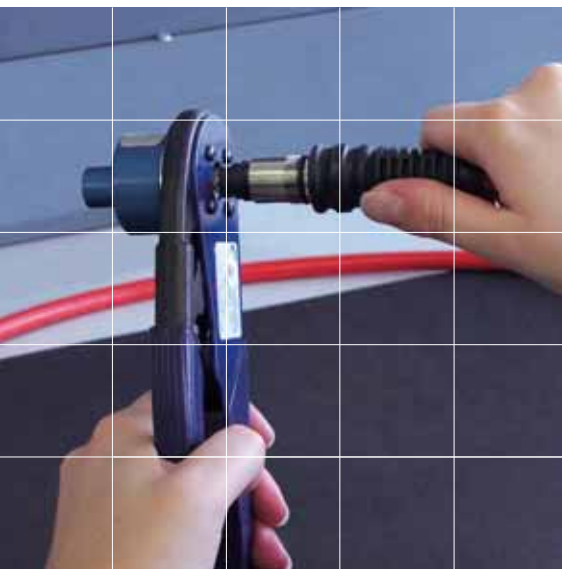
■ *Complete and integrated cable solutions*

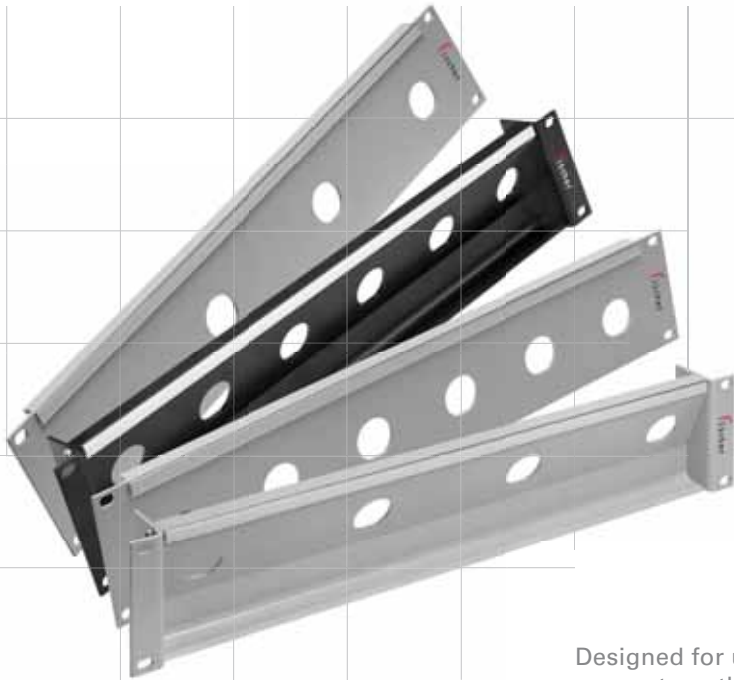
Based on years of experience in Outside Broadcasting and Studios installations, Fischer Connectors has built a tried and tested value-added cable assembly service. From simple to complex, small to high volume production, we provide turnkey solutions to suit the specific needs of your HD or SD application.

Utilizing the latest machinery and test equipment, our facilities are geared to producing cable assemblies. We operate strict process controls to ensure optimum reliability even in the most arduous environments. Cables are delivered with your choice of connectors. Cable lengths are offered according to your request in either 8mm or 11mm diameter cables and HD Pro+ cable. Other cable types and variations are available on request.

■ *Services*

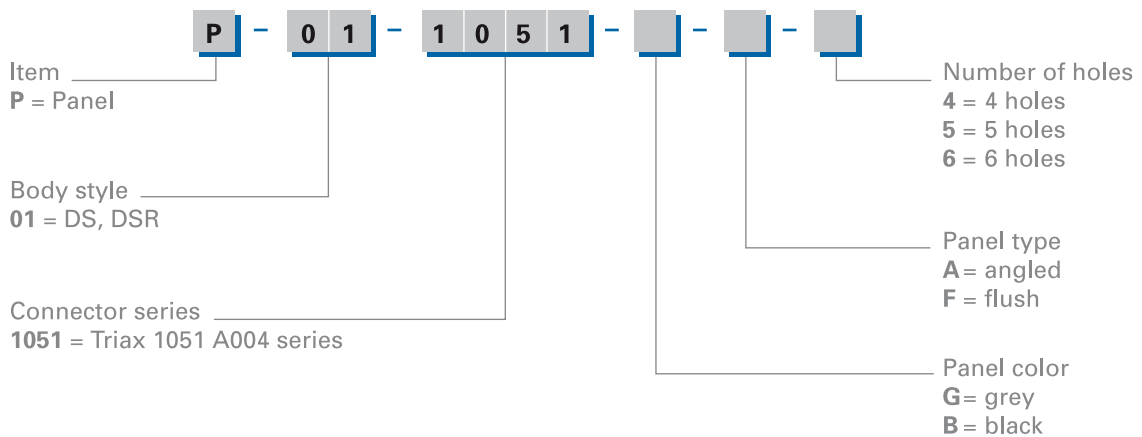
- Complete and integrated connector and cable system solutions
- Testing process ensures optimum reliability
- Flexible yet strong cables, ideal for harsh environments
- Protective sleeves and sealing caps fitted as standard
- Fast delivery of standard 8 and 11mm diameter cables and HD Pro+ cable
- Other cable solutions on request



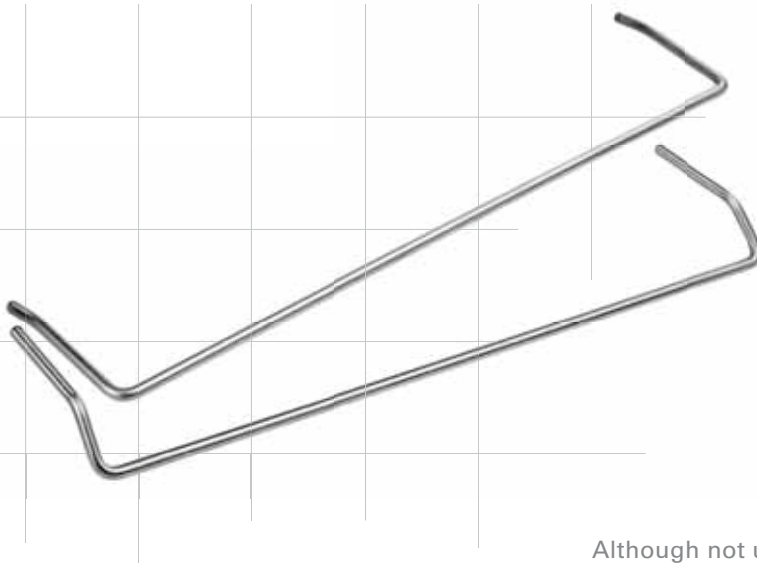


Designed for use with our DS and DSR 1051 series connectors, these high quality 2U flush or angled panels can be used for Outside Broadcast or Studio wall boxes. They are manufactured from robust extruded aluminium and finished with chrome plating plus powder coating. Available color finishes are standard grey or optional black. All panels are supplied with a clear removable designation strip to allow a printed text height up to 7.5mm. Hole cut-out configurations have been provided for the most efficient use of available space. Optional lacing bars can be supplied as required. Panels are not supplied with connectors fitted. Other panel types are available, please enquire for more details.

■ Part numbers

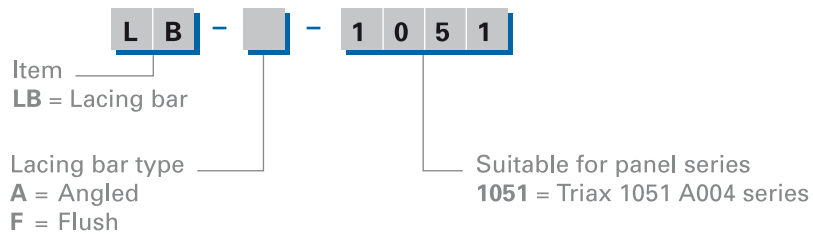


Optional Lacing Bars



Although not usually required, the lacing bar can offer additional cable support at the rear of the panel if space permits. Lacing bars are supplied with all necessary fittings for quick fitting to the panel. Lacing bar choices are specific to either Angled or Flush panel types.

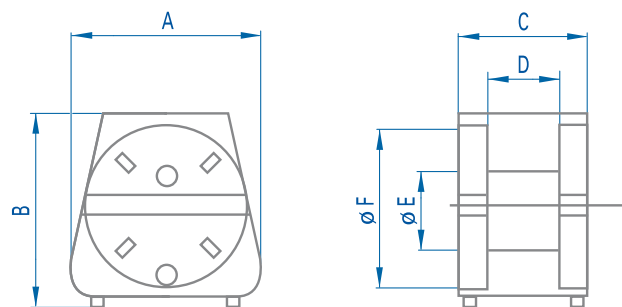
■ *Part numbers*





Suitable for 8mm and 11mm triaxial and HD Pro+ cables, these robust reels are manufactured from steel and finished with a black nylon dip. For storage and space saving, the manual rewind handle can be reversed and the reels can be stacked up to 3 units high. A retained drum locking pin prevents drum rotation during transit. Thermoplastic feet provide grip and protection to flooring. The cable reels are RoHS compliant.

■ Part numbers



Part number	Max. reel capacity ¹ [m]		Weight ² [kg]	Dimensions [mm]					
	8.5 mm triax	11.5 mm triax		A	B	C	D	E	F
CR-01	200	125	9.75	520	540	350	150	230	450
CR-02	425	275	11.25	520	540	500	300	230	450
CR-03	630	415	13.00	520	540	650	450	230	450

¹ Cable capacity shown is tight and carefully wound, de-rate by 30% for loose packed or cross wound.

² Weights shown are without cable fitted.

Recommended triaxial camera cables 75Ω

	Cable			Cable diameters ¹ [mm]			Suitable connectors ²	Suitable clamp set
	Brand	Type	Reference	Core	Dielectric	Ext.		
1	Bedeia	Standard 8 (PUR)	–	1.0	4.5	8.5	SE+KE 1051 A004-9+ DS+DB 1051 A004-3 1.0/5.0 DSQ+DBQ 1051 A004-3 1.0/5.0 DSR+DKE 1051 A004-3+	E3 1051.1/A004-9/1.0/4.5/8.7 N/A N/A E3 1051.1/A004-3/1.0/4.5/8.7
	Bedeia	Superflex 8 (TPE flex)	–	1.0	4.5	8.6		
	Belden	Triax 8	7783A	1.0	4.5	8.4		
	Draka	Triax 8 (PVC)	CT2765700	1.0	4.5	8.4		
	Draka	Triflex 8 (PUR)	CT2767900	1.0	4.5	8.4		
	Intercond	8.5mm (PVC or PUR)	RX 75/55	1.0	4.7	8.5		
	Fujikura	4.8/1.0 EFTXF	–	1.0	4.8	8.6		
	Hirakawa	TRIAX 4.8/1.0-TUFRET	3118-250	1.0	4.8	8.8		
2	Belden	–	9267, 1857A	0.8	3.7	9.2	SE+KE 1051 A004-9+ DS+DB 1051 A004-3 1.0/5.0 DSQ+DBQ 1051 A004-3 1.0/5.0 DSR+DKE 1051 A004-3+	E3 1051.1/A004-9/1.0/4.5/9.4 E3 1051.1/A004-9/1.4/4.5/9.4 N/A N/A E3 1051.1/A004-3/1.0/4.5/9.4 E3 1051.1/A004-3/1.4/4.5/9.4
	Draka	Triax 8 (FRNC) Reinforced	CT2853203	1.0	4.5	9.0		
3	Belden	Triax 11	7784AS	1.4	6.5	11.2	SE+KE 1051 A004-9+ DS+DB 1051 A004-3 1.4/6.6 DSR+DKE 1051 A004-3+ SE+KE 1051 A004-9+ SE + KE 1051 A004-HD Pro+	E3 1051.1/A004-9/1.4/6.6/11.3 N/A E3 1051.1/A004-3/1.4/6.6/11.3 E3 SE1051.3/A004-HD Pro/1.75/7.5/11.9 E3 KE1051.4/A004-HD Pro/1.75/7.5/11.9
	Intercond	11.0mm (PVC or PUR)	RX 75/56	1.4	6.5	11.0		
	Bedeia	Standard 11 (PUR)	–	1.4	6.5	11.0		
	Bedeia	Superflex 11 (TPE flex)	–	1.4	6.0	11.3		
	Draka	Triax 11 (PVC)	CT2766400	1.4	6.5	11.0		
	Draka	Triflex 11 (PUR)	CT2768100	1.4	6.5	11.0		
4	Draka	Triax 11/1 (PU) Reinforced	CT2767101	1.4	6.5	12.2	SE+KE 1051 A004-4 1.4/6.6/12.6 DS+DB 1051 A004-3 1.4/6.6 DSR+DKE 1051 A004-4 1.4/6.6/12.6	Included N/A Included
5	Belden	–	9192, 9232	1.6	8.0	13.2	SE+KE 1051 A004-4T1895/13.6 DSR+DKE 1051 A004-4T1895/13.6	Included
6	Belden	Triax 14	7785A	2.2	9.7	14.5	SE 1051 A004-4 2.1Ls/10s/15.2 KE 1051 A004-4 2.1Ls/10s/15.2 DSR 1051 A004-4 2.1Ls/10s/15.2 DKE 1051 A004-4 2.1Ls/10s/15.2	Included
	Intercond	14.0mm (PVC or PUR)	RX 75/57	2.2	9.7	14.0		
	Draka	Triax 14 (PVC)	CT2766700	2.2	9.7	14.4		
	Draka	Triax 14 (PUR)	CT2767000	2.2	9.7	14.5		
	Bedeia	Standard 14 (PUR)	–	2.2	9.7	14.4		
	Bedeia	Superflex 14 (TPE flex)	–	2.2	9.7	14.5		
	Fujikura	9.6/2.22 EFTXF	–	2.2	9.6	14.5		
	Hirakawa	TRIAX-1/2.22-TUFRET	3118-290	2.2	9.6	14.5		

Please note that the above list is a guideline only, not all cables available in the marketplace are listed.

¹The cable dimensions listed are reference only, sizes may fluctuate during production.
²Connector types for other cables not listed are by request.

This is a revised edition of Fischer Connectors 1051 series Triaxial connectors and related products. Every effort has been taken to ensure that all details in this catalogue are correct. Fischer Connectors SA reserve the right to make any modification or product update without prior notice and without obligation to replace or manufacture obsolete parts.

All mechanical and electrical test data given have been measured under normal environmental conditions. This data should not be interpreted for other applications without careful examination of any relevant standards and careful consideration of local operating environments. All connectors shown in this catalogue are intended for applications using both high frequencies and high voltage. Users should ensure that the correct safety procedures are observed during installation and operation.

Certified ISO 9001:2008 and 14001:2004, Fischer Connectors embraces Total Quality through continuous improvement in all processes and procedures. Our company continues to invest in our environment, all of our products are RoHS compliant and we are proud to be incorporated into the global Sony Green Partnership since 2003.

Comprehensive technical information and termination procedures are available for download from our online technical library at www.fischerconnectors.com/technical

Please do not hesitate to contact our worldwide customer service and support network for specialist advice or details of any of our other product ranges. Log on to our website to find the contact details of your local office.



■ *Medical*



■ *Broadcast*



■ *Defense & Security*



■ *Extreme Environments*

www.fischerconnectors.com

Using state of the art technology, Fischer Connectors designs, manufactures and distributes high-performance connectors.

Known for their reliability, precision, and resistance to extreme environmental conditions, our products are used in fields requiring faultless quality, such as broadcast, medical equipment, instrumentation, measuring and testing devices, telecommunication and military applications.

Selecting the right connector is an important and challenging process. Our specialists are on hand to help you equip your application with the most suitable connector solution. Contact us for more information.



■ *Instrumentation*

fischer sales network



www.fischerconnectors.com

Fischer Connectors SA

Ch. du Glapin 20
1162 Saint-Prex
Switzerland
Phone +41 21 800 95 95
mail@fischerconnectors.ch



© Fischer Connectors SA
All rights reserved / 12.2010
Changes without prior notice